


ES-210

The background features a minimalist design with overlapping geometric shapes. A large, dark gray triangle is positioned on the right side, pointing towards the top right. On the left side, there is a lighter gray triangle pointing towards the bottom left. These two triangles overlap in the center, creating a darker gray intersection. The top portion of the page is white, providing a clean space for the text.

---

PENTAIR  
PENTAIR

PENTAIR( ) EVERPURE( )

**1.** .....

**2.** .....

**3.** .....

3.1

3.2

3.3

3.4

**4.**

4.1

4.2

4.3

4.4

**5.**

5.1

5.2

5.3

5.4

5.5

**6.**

6.1

6.2

# 1.

---

•

•

•

•

•

•

100%

•

0

•

•

•

•

•

•

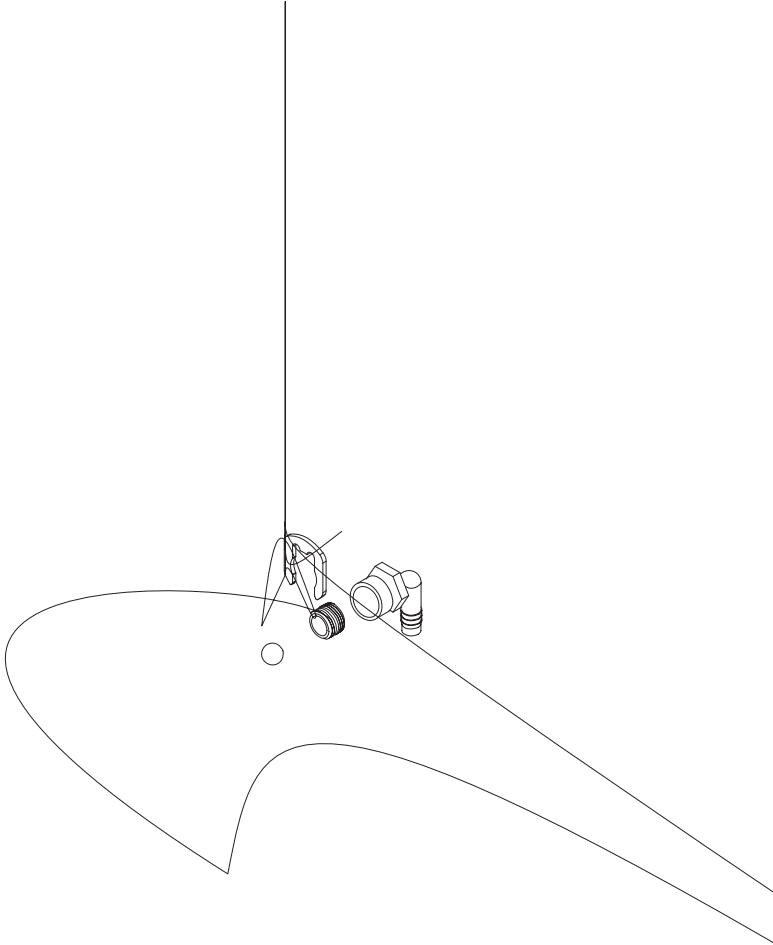
•

2-49

•

# 2

- 1.
- 2.
- 3.
- 4.
- 5.
- 6.



### 3.

#### 3.1

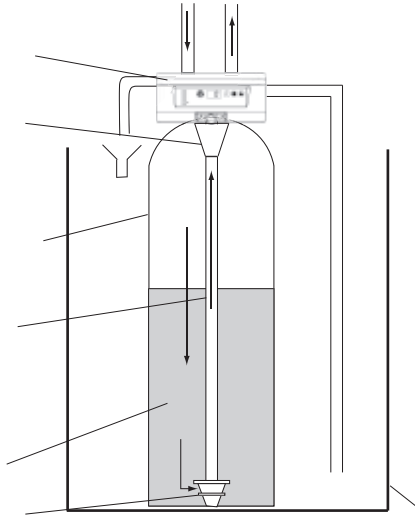
---

— 2001

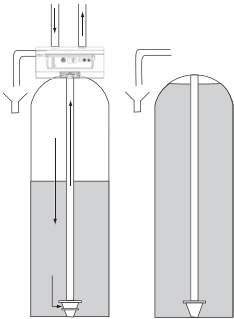
#### 3.2

##### 3.2.1

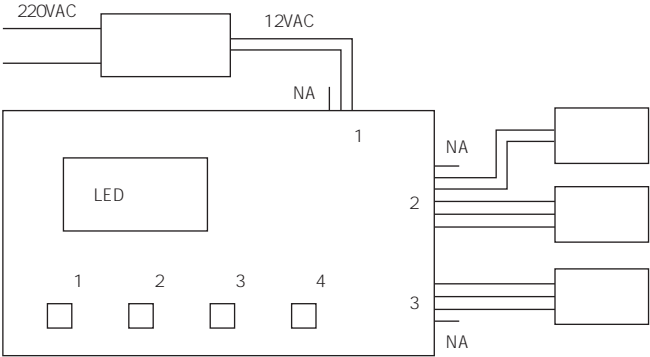
---



3.2.2



3.2.3



### 3.3

	ES-210
/	3/4" (25mm)BSPT
	0.14 0.35MPa
	0.9m <sup>3</sup> /h
	1.5m <sup>3</sup>
	8000m <sup>3</sup>
	2001
	12L
	10kg
	220V-50Hz
	8W
	4 38
	2 49
* *	500*280*510mm
	1/2" (12.7mm)
	3/8" (9.5mm)



### 3.4

---

		/			
1		0.6-0.8mm		12L	10
2		250mm 400mm		1	10
3		25L		1	10
4		222mm × 222mm × 119mm	+	1	10
5		25mm	PVC	1	10
6		25	ABS	1	10
7		25	ABS	1	10

## 4.

### 4.1

---

•

•

- a). 55cm × 30cm
- b). 66cm
- c). 40-160cm

d). 10.2cm

e). / 220V-50Hz

f). 8W

g). 2m

h).

j). 4°C 38°C

k). 0.14MPa 0.35MPa

•

2°C 49°C

•

•

40-160cm

10cm

•

•

0.14 0.35MPa

•

•

•

•

10

•

Y

•

6m

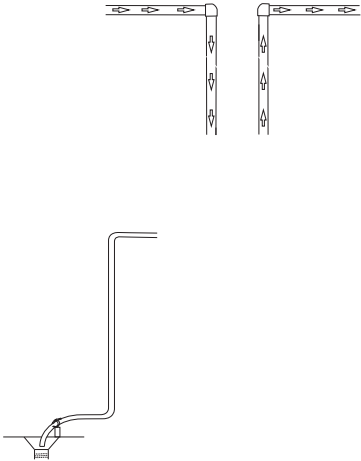
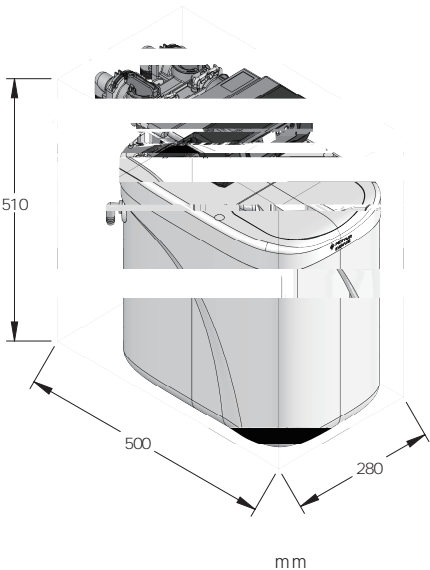
•

4.2

---

4.3

---



4.4

4.4.1

---



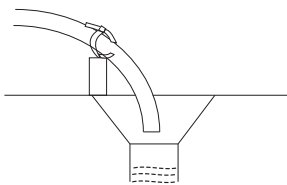
- 0
- 100% 0

- 
- 
- 

#### 4.4.2

---

- 
- 
- 
- 
- 
-



#### 4.4.3

---

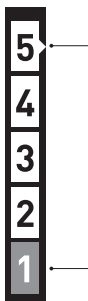
- 1/2"
- 



#### 4.4.4

---

5

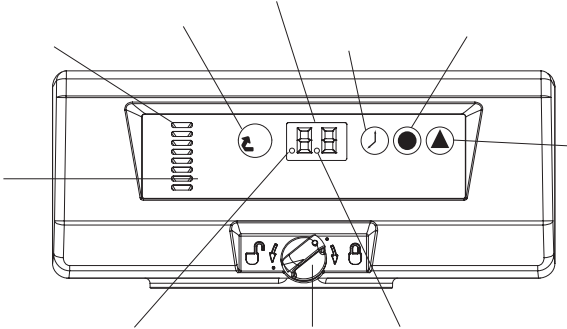


# 5.

## 5.1

### 5.1.1

---



### 5.1.2

---



0 23



0.20kg 6.0kg

0.20kg 1.0kg 0.05kg

1.0kg 3.0kg 0.1kg

3.0kg 6.0kg 0.5kg



0.40 9.5m<sup>3</sup>

0.4m<sup>3</sup> 1.0m<sup>3</sup> 0.05m<sup>3</sup> 12

1.0m<sup>3</sup> 3.0m<sup>3</sup> 0.1m<sup>3</sup> 20

3.0m<sup>3</sup> 5.0m<sup>3</sup> 0.2m<sup>3</sup> 10

5.0m<sup>3</sup> 9.5m<sup>3</sup> 0.05m<sup>3</sup>(10





### 5.1.5

---

4

- 1.   3
- 2. " u"
- 3.
- 4. 5

- 1.   3 " 0"
- 2. " u"
- 3.  " u0"
- 4. 5 1
- 5. 1-4

u1	
u2	
u3	
u4	
u0	

### 5.1.6

---

3






- 0=
- 0.3= 8
- 0.5= 12
- 1-30=

5.1.7

---

- Err3
- u1 0.6kg

ES-210	
ppm	T
50	8.00
100	4.00
150	2.67
200	2.00
250	1.60
300	1.33
350	1.14
400	1.00
450	0.89
500	0.80
550	0.73
600	0.67
650	0.62
700	0.57
750	0.53
800	0.50
kg	0.6

- 4-5L
- " "
-  3 [ ] C1 1/4
- ,
-   C2
-  

C7



5.1.8

---

/

5.2

---

" "

<0.3mg/L

<3NTU

0.14MPa

0.6MPa

220V-50Hz

8

8

8

1.5



3

30



4



5



H2

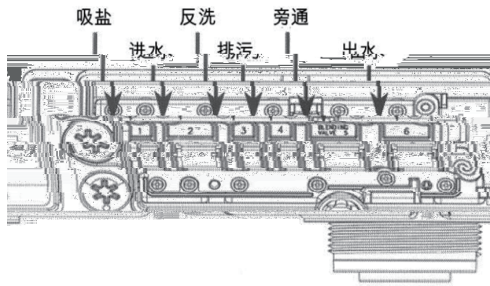
H1		
H2		/
H3		
H4	200	9,999 65,535
H5		
A0	0	
A1	1	
A2	2	
A3	3	
A4	4	
A5	5	
A6	6	

- 

- 

-





Err 1		Err 1
Err 3	Err 3	1. 2.
	5	1. 2.

6.

6.1



1

1

2

3

4



5

6

7

8

800-820-6671

400-820-6671

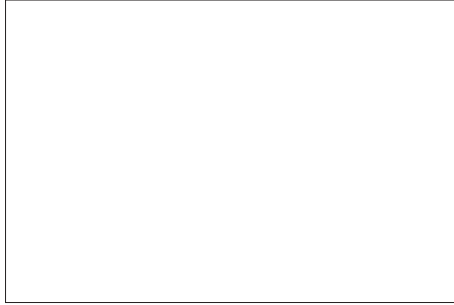
09:00-19:00











371

215011

800-820-6671

400-820-6671

[www.pentairwater.cn](http://www.pentairwater.cn)

MPMA003\_A